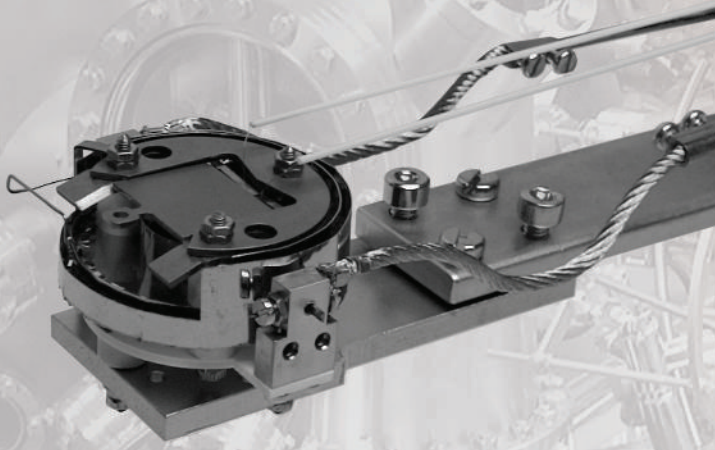




# OmniVac

Surface Analysis and Vacuum Technology

## Sample Holder Receiving Station SHR 2000



The OmniVac **SHR 2000 Sample Holder Receiving Station** is designed for short flash heating of flag style sample holders (Ta).

Temperature is monitored at a reference point close to the sample holder via Type C thermocouple.

A temperature of 2000°C can be reached in less than one minute.

■ for flag style sample holders

■ 4 electrical contacts

■ filament on negative potential

■ for short flash heating at 2000°C

■ Temperature measurement at reference point close to the sample

[www.omnivac.de](http://www.omnivac.de)

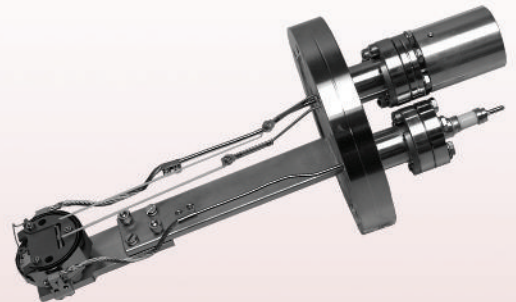
# SHR 2000 Sample Holder Receiving Station

The OmniVac **SHR 200 Sample Holder Receiving Station** is designed for short flash heating of flag style sample holders (Ta).

Temperature is monitored at a reference point close to the sample holder via Type C thermocouple. A temperature of 2000°C can be reached in less than one minute.

To prevent heating of the surrounding chamber leading to outgassing, the **SHR 2000** can optionally be placed in a fitting cryo shroud.

The **SHR 2000** is suited for preparation of Mo and Nb single crystals.



*Maximal temperature* Depending on sample holder used.

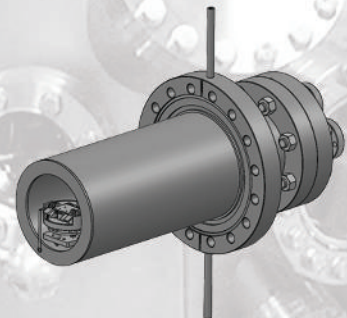
Up to 2300 K with electron beam heating of a Ta sample holders

*Electrical contacts* 2 for thermocouple (W/Rh)  
2 for filament

- ▶ 4 electrical contacts
- ▶ flash heating up to 2300 K
- ▶ for flag style sample holders
- ▶ compact design

#### Related products:

**PS-REG 200** power supply  
**SH** sample holder series  
**HPM** manipulators  
**RDC 700** distribution chamber



- ▶ optionally with water cooled cryo shroud



**OmniVac**  
Hertelsbrunnenring 30  
D-67657 Kaiserslautern / Germany

Tel +49 (0) 631 3110740  
Fax +49 (0) 631 28056  
sales@omnivac.de