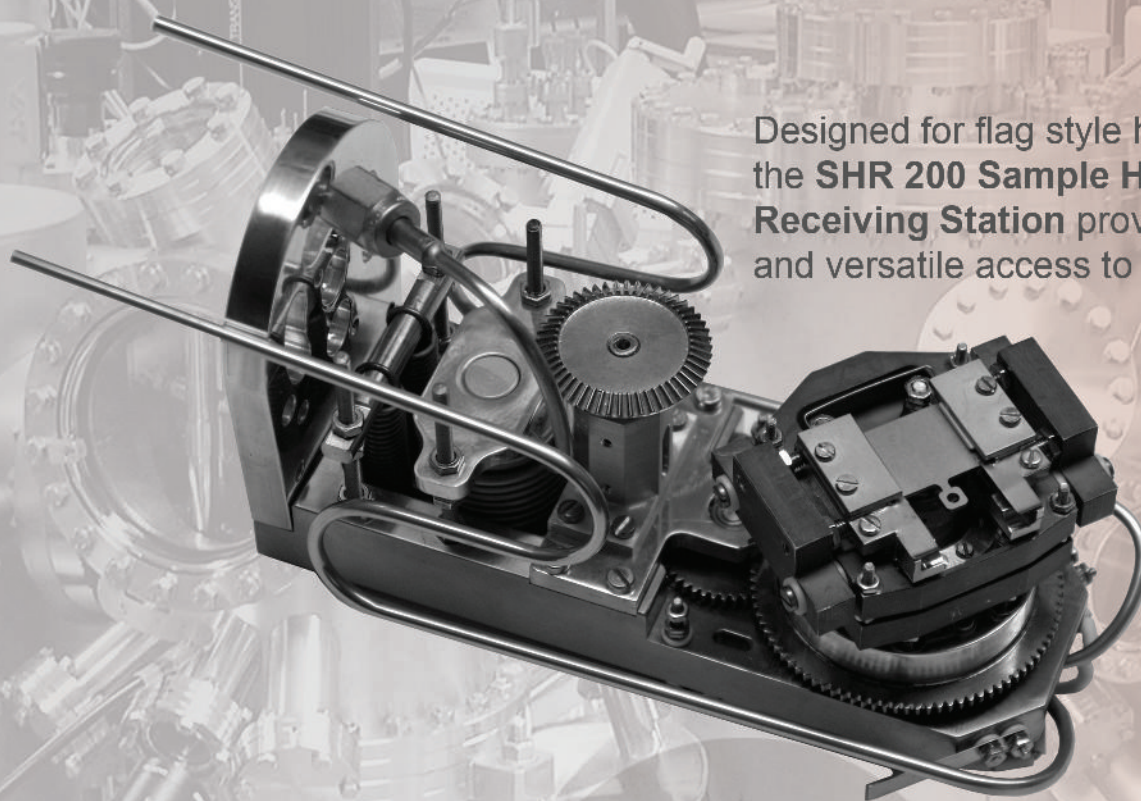




OmniVac

Surface Analysis and Vacuum Technology

Sample Holder Receiving Station SHR 200



Designed for flag style holders, the **SHR 200 Sample Holder Receiving Station** provides easy and versatile access to your samples

for flag style sample holder series

5 electrical contacts

sample temperature measurement

continuous cooling with LN₂ or LHe

continuous high precision azimuthal rotation

www.omnivac.de

SHR 200 Sample Holder Receiving Station

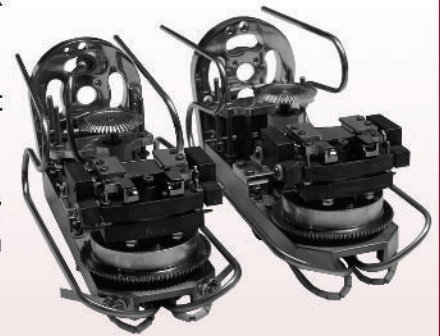
Designed for the reception of flag style sample holders, **SHR 200 Sample Holder Receiving Station** provides easy and versatile access to your samples.

The pneumatically driven mechanics establish reliable contact for type K thermocouple as well as for the sapphire ring equipped cooling finger.

The receiving station is electrically isolated and allows for sample current measurement.

All electrical contacts, heating and cooling can be maintained continuously during sample positioning and rotation, which makes the SHR system unique.

The sample transfer station is completely built up of non-magnetic components and can be mounted either with fixed room coordinates or for position alignment on a rotatable High Precision manipulator.



<i>Maximal temperature</i>	Depending on used sample holder 1300 K electron beam heating 1000 K indirect heating
<i>Electrical contacts</i>	2 for thermocouple (Chromel/Alumel) Sample bias / current measurement 2 for heating
<i>Cooling</i>	Cooling finger with sapphire ring LN ₂ or LHe cooling

- ▶ 5 electrical contacts
- ▶ continuous azimuthal rotation
- ▶ cooling option (LN₂, LHe)
- ▶ non-magnetic

Related products:

HPM manipulators
RDC 700 distribution chamber



OmniVac
Hertelsbrunnenring 30
D-67657 Kaiserslautern / Germany

Tel +49 (0) 631 3110740
Fax +49 (0) 631 28056
sales@omnivac.de