

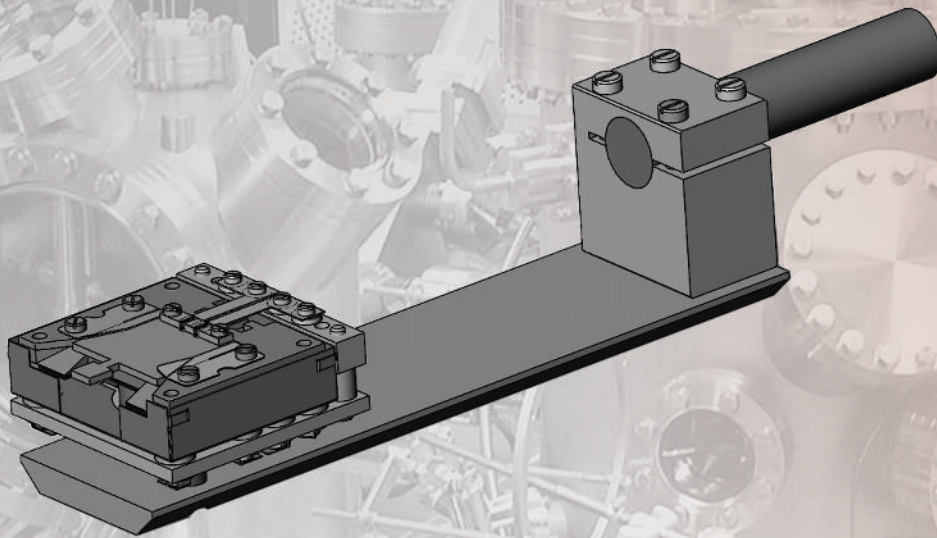


# OmniVac

Surface Analysis and Vacuum Technology

## Sample Holder Receiving Station with heating option

### SHR 40 H



■ for flag style sample holders

■ mounted on CF 40 flange

■ 2 thermocouples

■ heating up to 800 °C

[www.omnivac.de](http://www.omnivac.de)

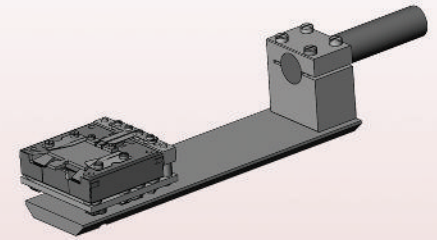
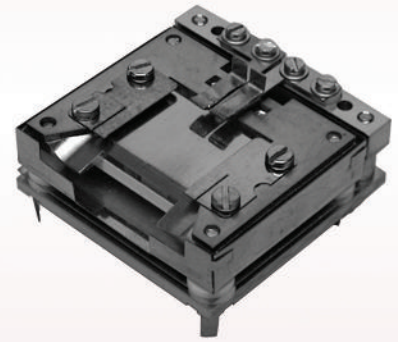
# SHR 40 H Sample Holder Receiving Station with heating option

The SHR 40 H stage is a medium size heating station for flag style sample holders (Omicron/Specs type).

Indirect resistive or e-beam heating allows for reaching sample temperatures up to 800°C at heating rates of 5 K/s.

Temperature can be monitored either on the sample holder via spring contacts or directly on the sample if special sample holder with adjustable thermo-contacts are used.

The stage is completely build up from non-magnetic materials. Mounted either on our HPM Mini XYZ manipulator or on one of our CF40 Z-retractors with or without tilt the SHR 40 H provides reliable position alignment of your samples.



## *Heating*

up to 800°C via indirect resistive heating or e-beam heating

## *Temperature measurement*

- Thermocouple (Chromel/Alumel) on the sample holder

- Thermocouple directly on sample contacting via springs

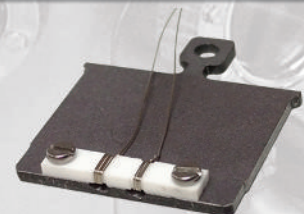
## *Electrical contacts*

- 2 heating contacts
- 4 thermocouple contacts
- bias contact

- ▶ 2 thermocouples
- ▶ for flag style sample holders
- ▶ heating up to 800°C
- ▶ mounted on CF 40 flange

## **Related products:**

**flag style** sample holder series with/without thermocouple  
**HPM 100** manipulator series



**flag style** sample holder with integrated thermoelement



**OmniVac**  
Hertelsbrunnenring 30  
D-67657 Kaiserslautern / Germany

Tel +49 (0) 631 3110740  
Fax +49 (0) 631 28056  
sales@omnivac.de